

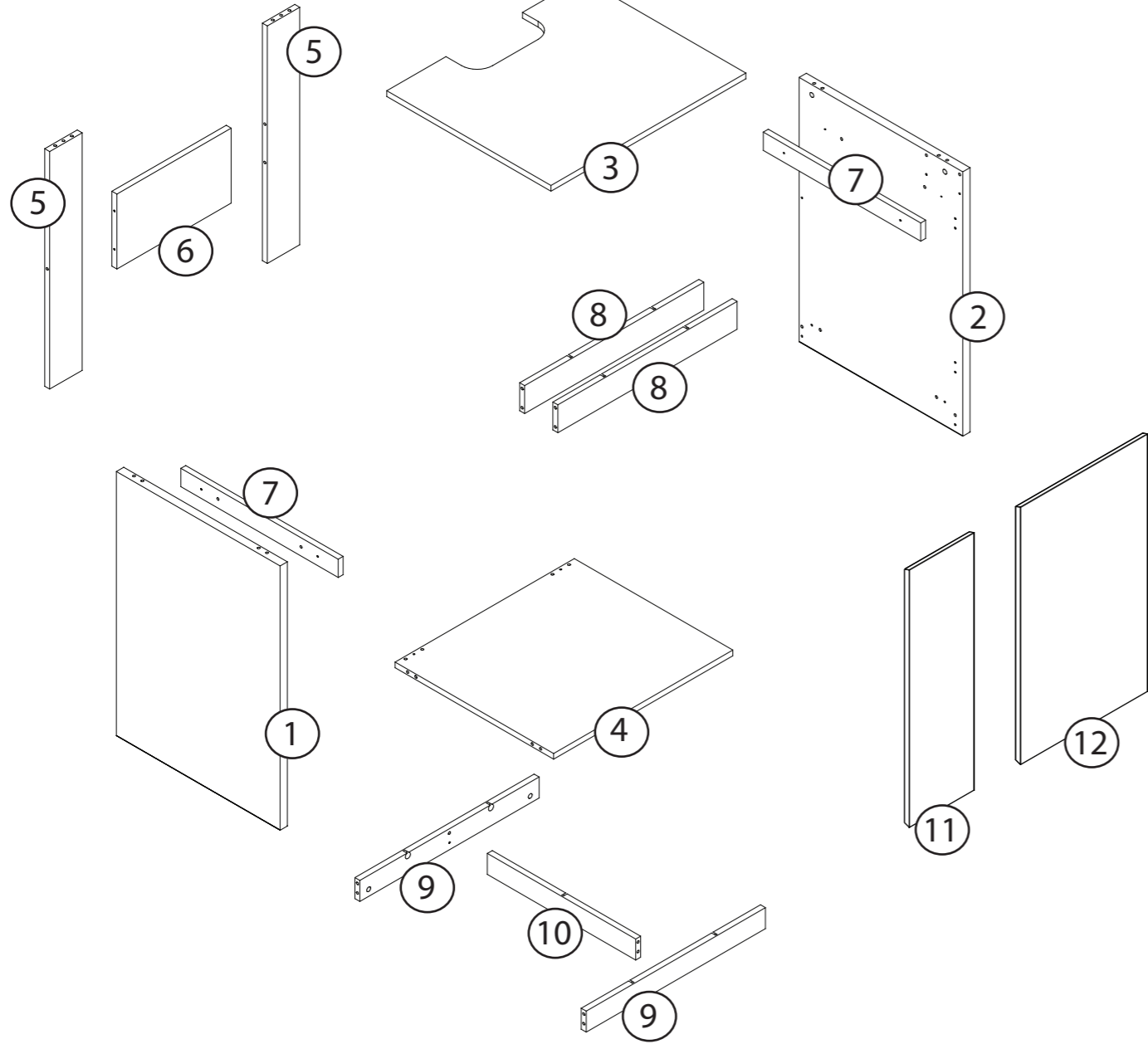
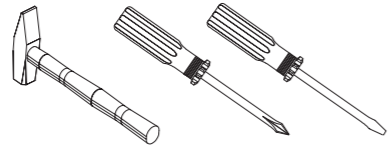
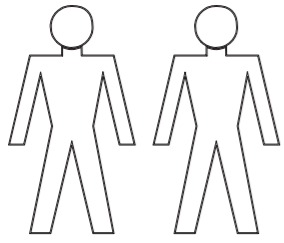
**AB Aqua Medic GmbH**  
**Gewerbepark 24**  
**49143 Bissendorf, GERMANY**

**Fon: +49 5402 9911-0**  
**Fax: +49 5402 9911-19**

[www.aqua-medic.de](http://www.aqua-medic.de)  
[info@aqua-medic.de](mailto:info@aqua-medic.de)

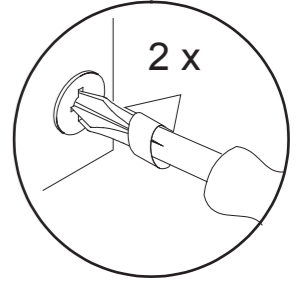
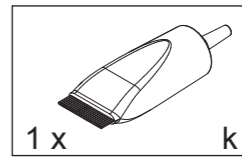
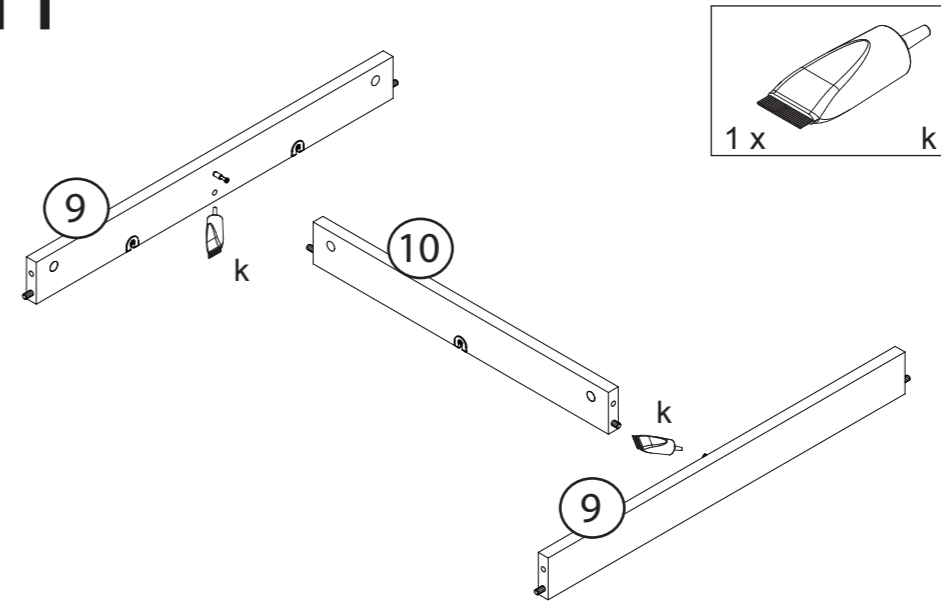


(01.2020)

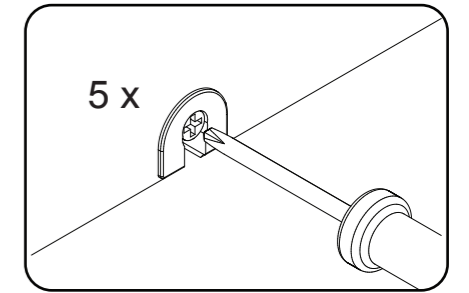
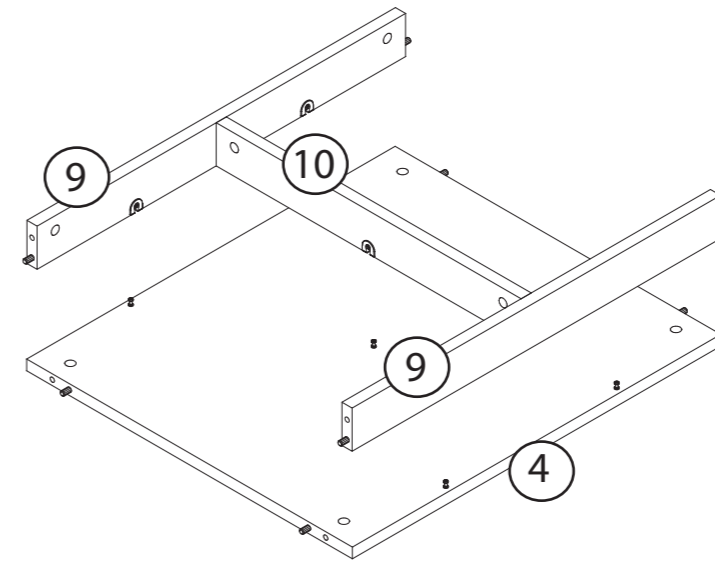


|           |           |           |          |          |          |
|-----------|-----------|-----------|----------|----------|----------|
| 28 x<br>a | 28 x<br>b | 30 x<br>c | 9 x<br>d | 9 x<br>e | 4 x<br>f |
| 4 x<br>g  | 2 x<br>h  | 4 x<br>i  | 8 x<br>j | 2 x<br>k | 8 x<br>l |

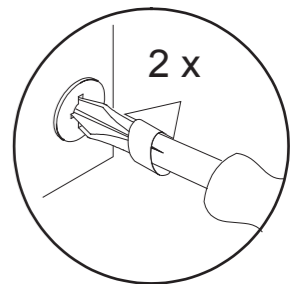
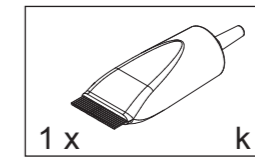
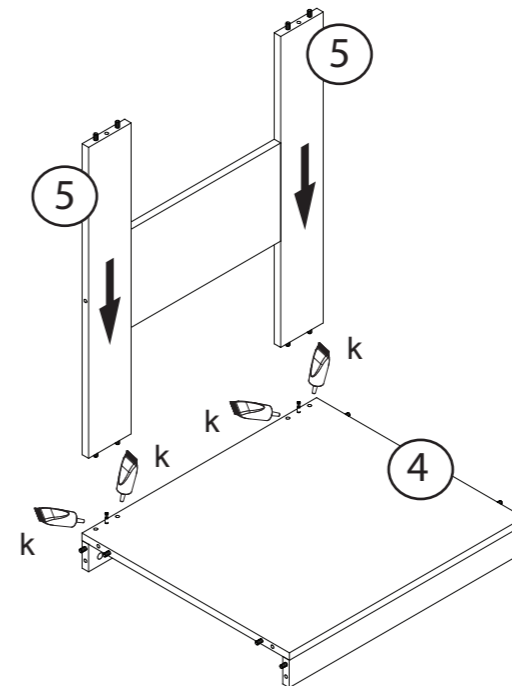
H



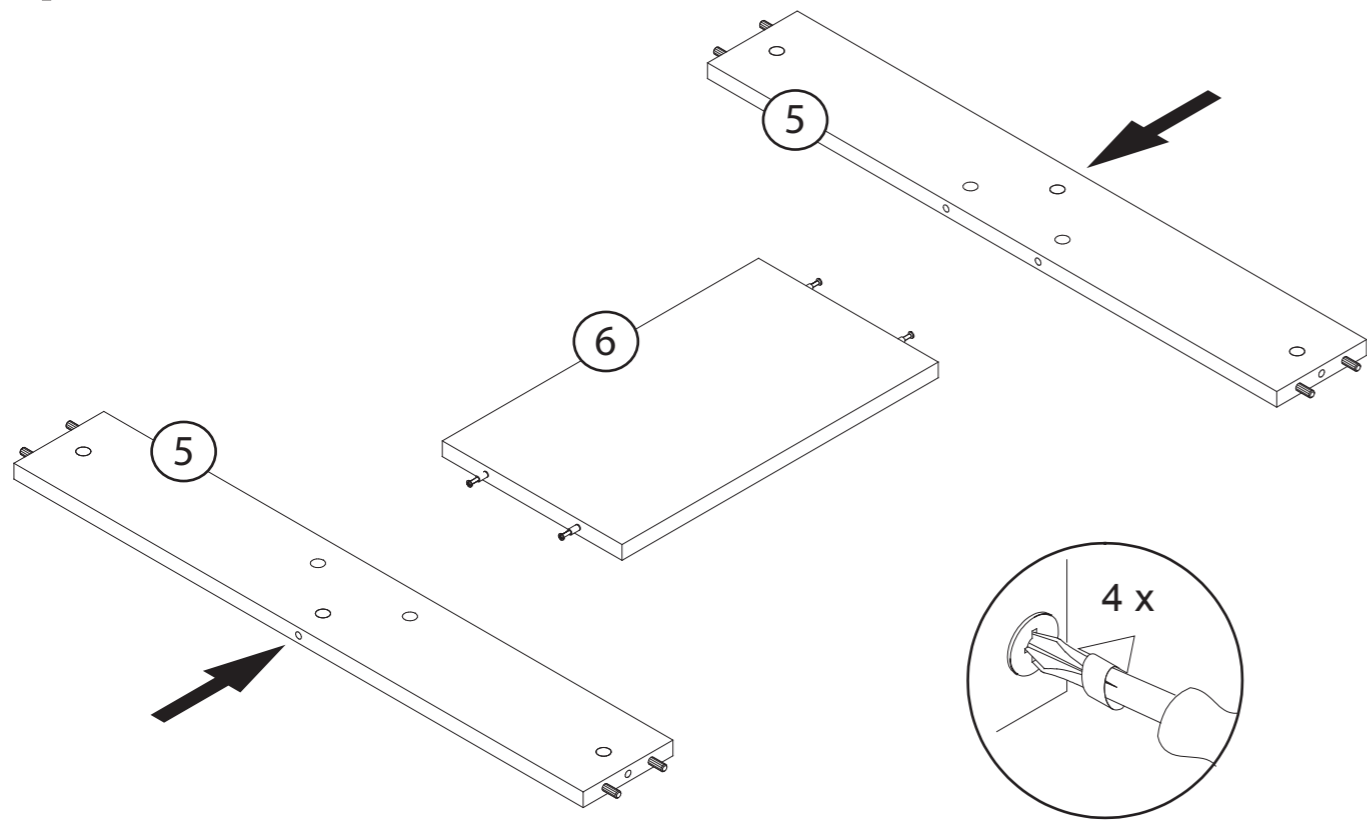
I



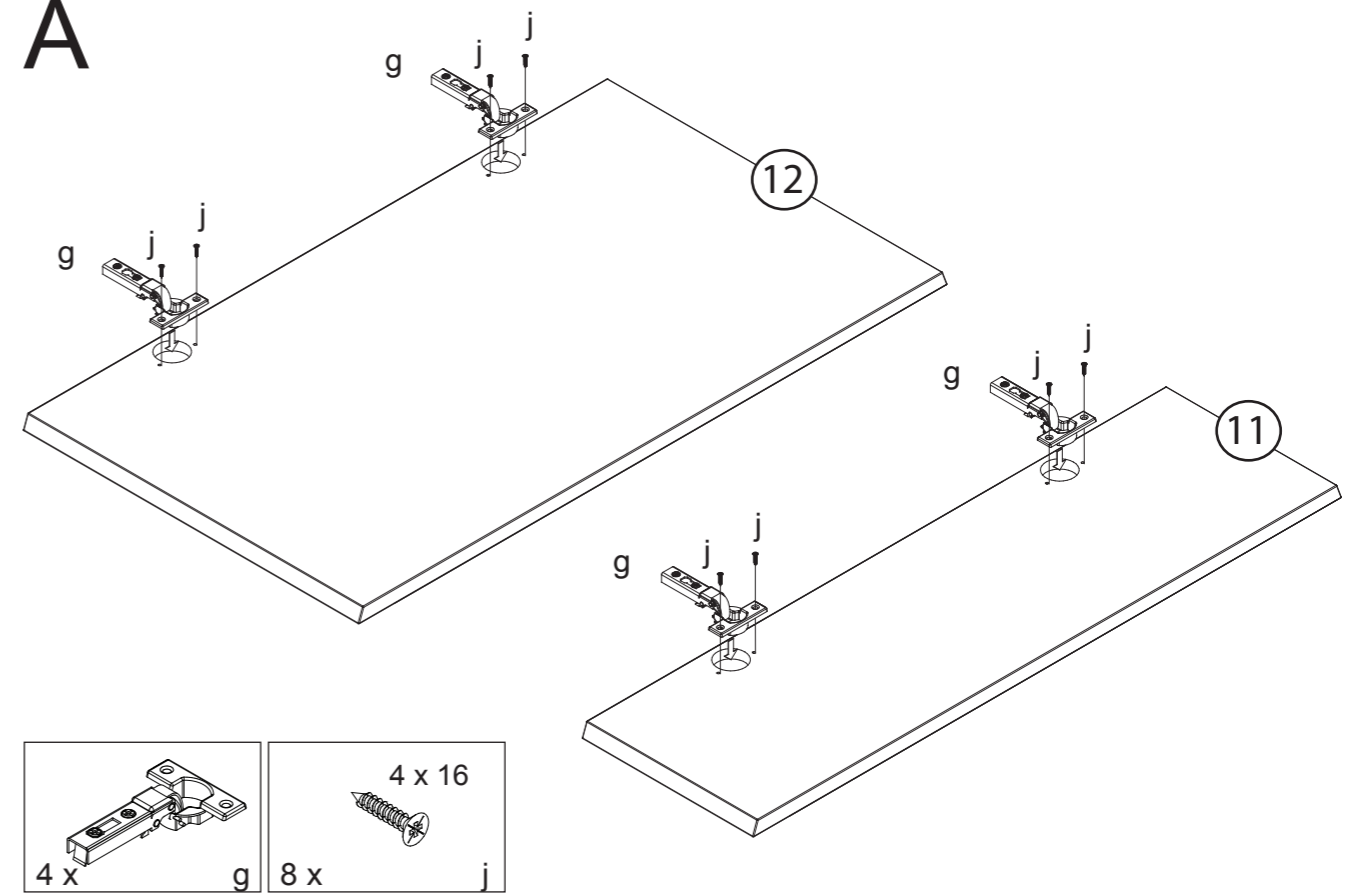
J



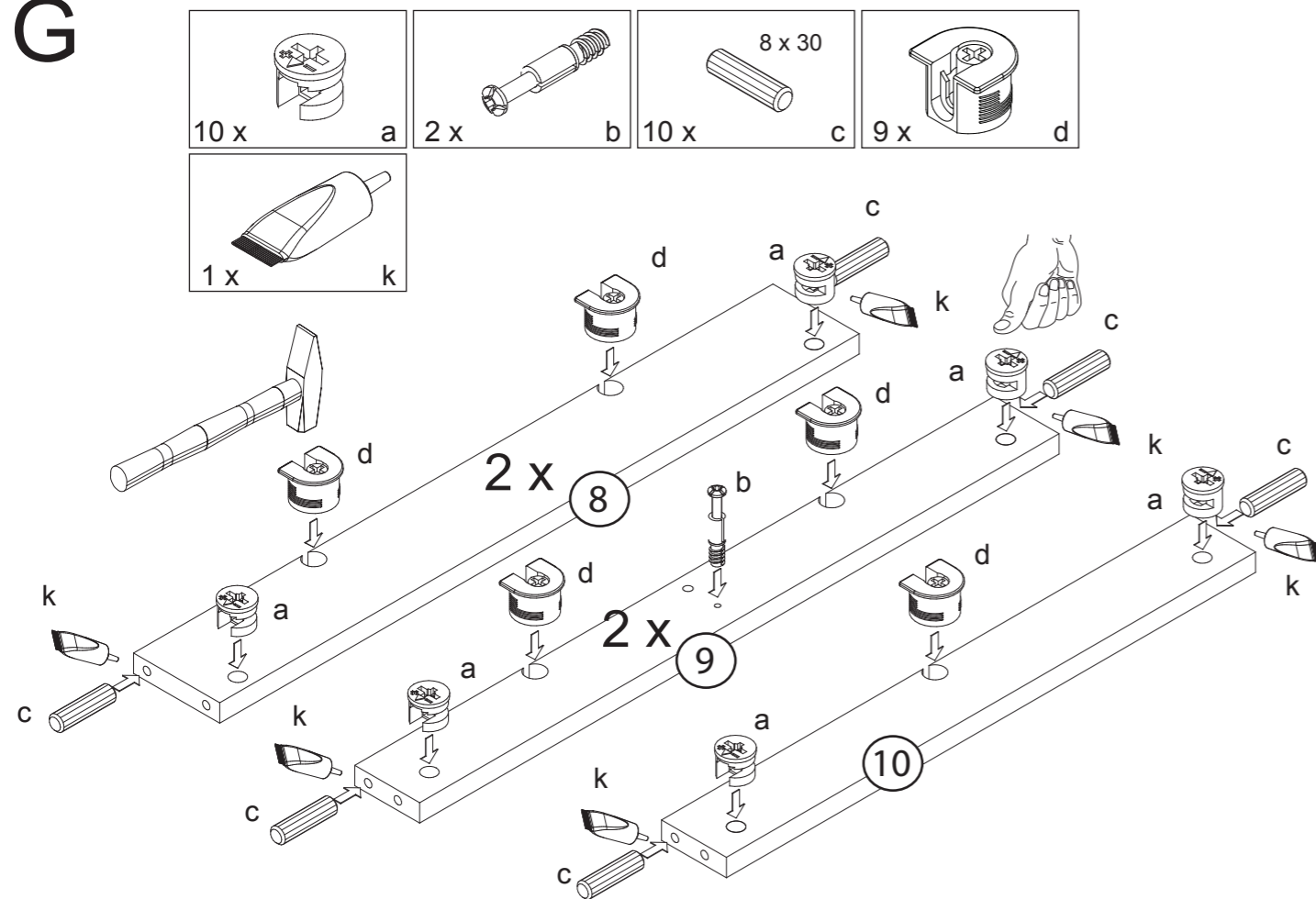
F



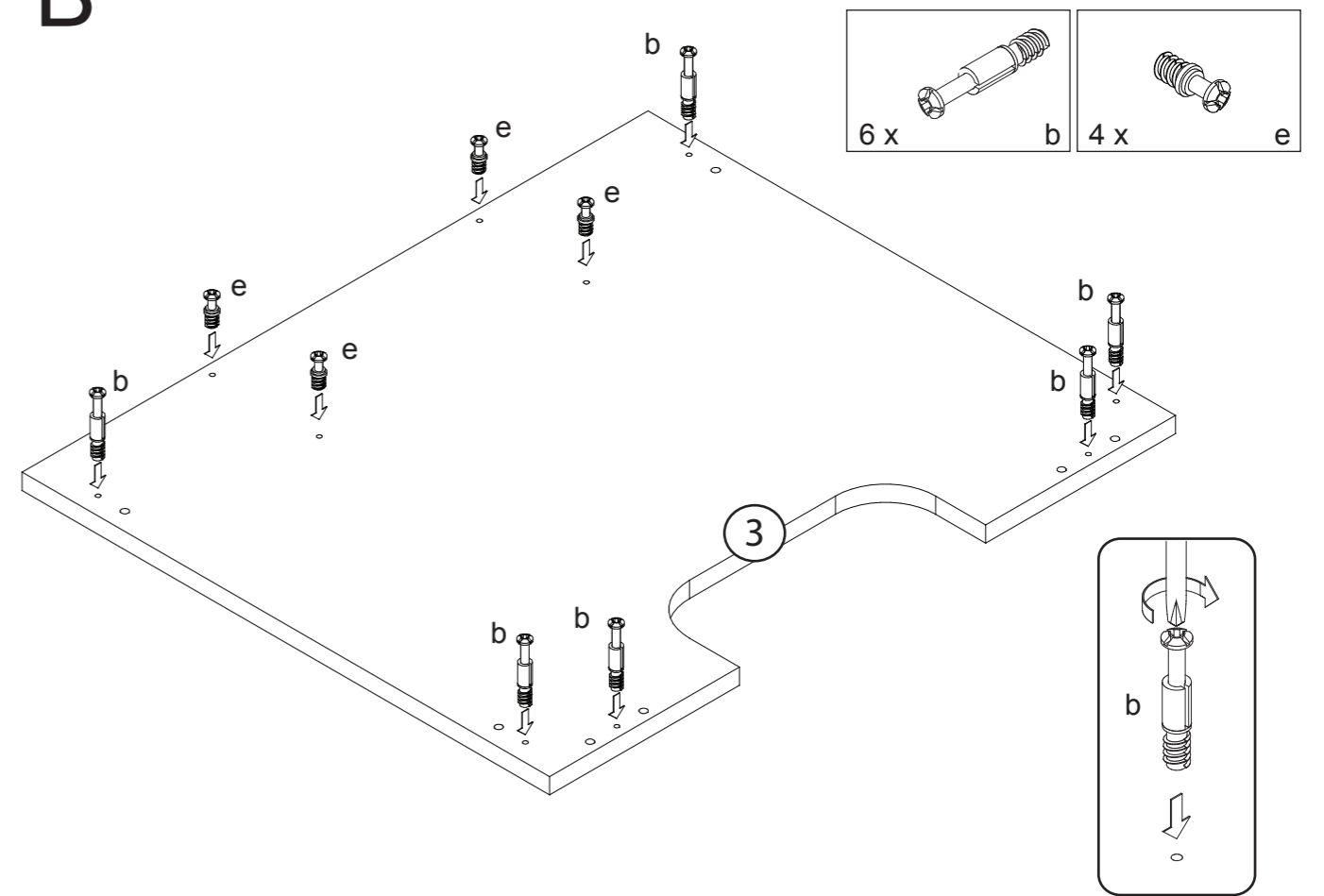
A

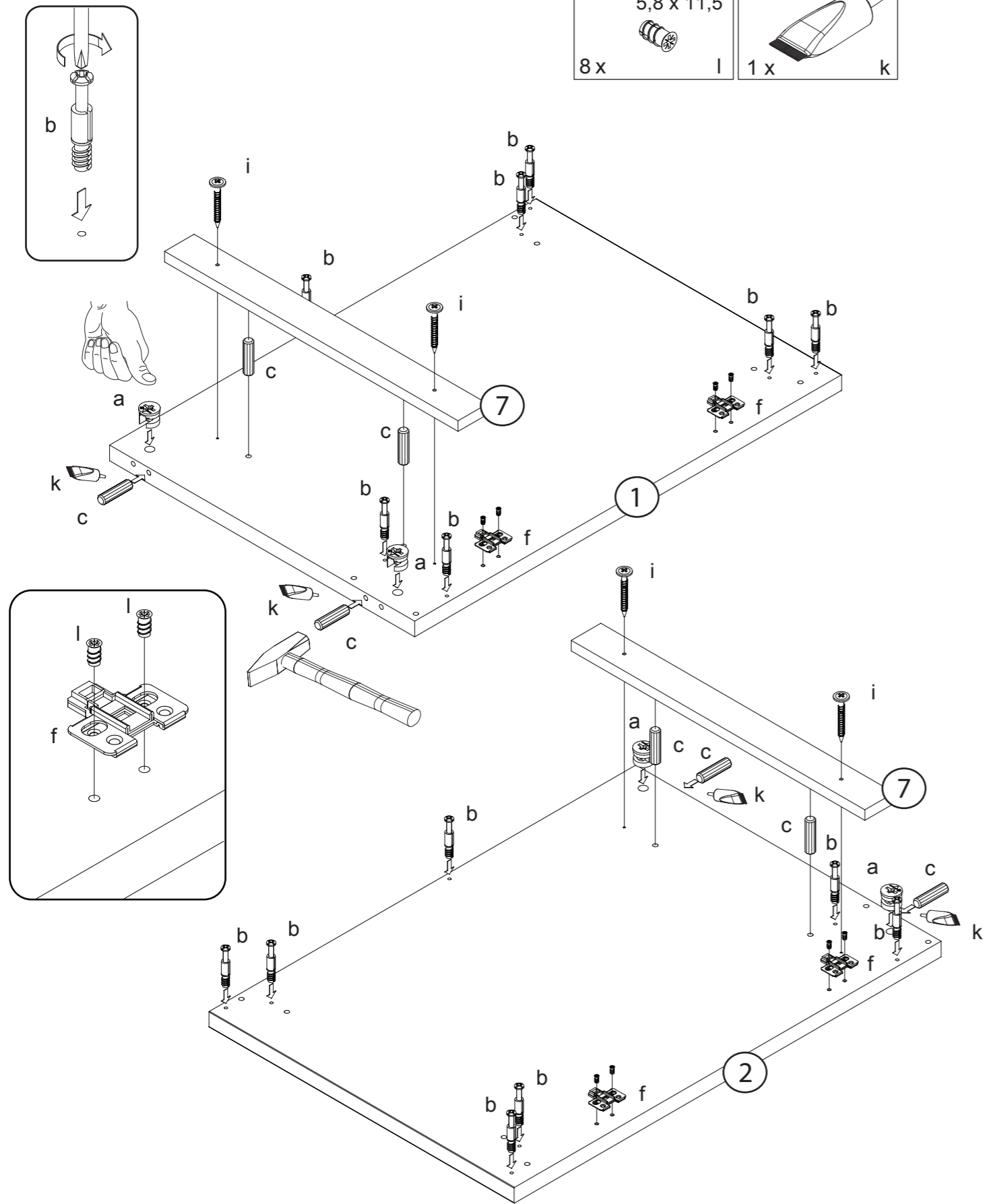
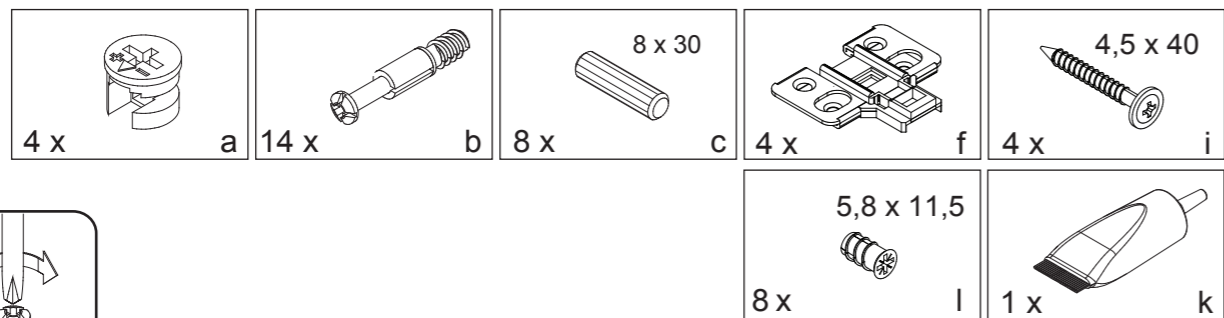
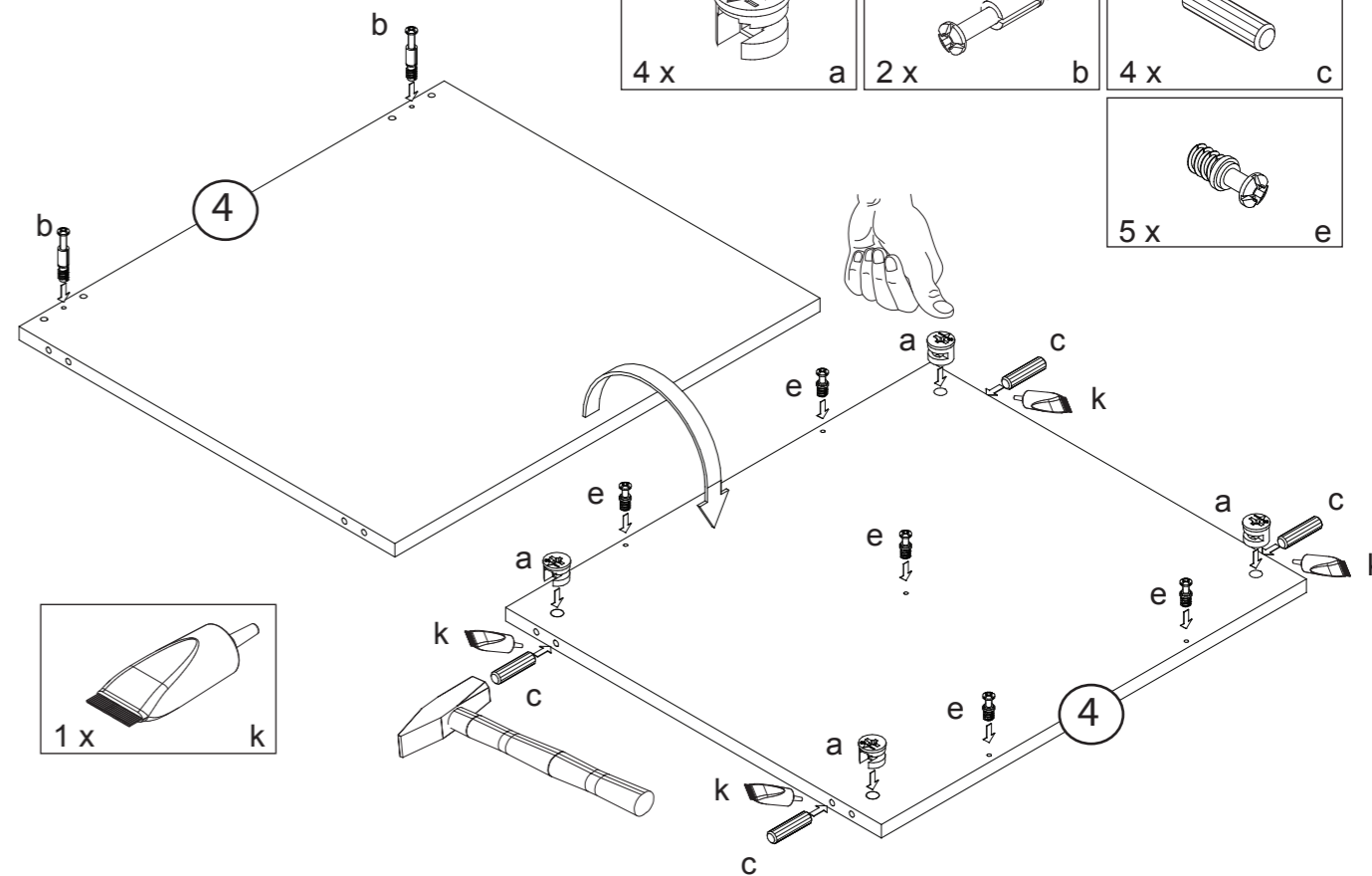
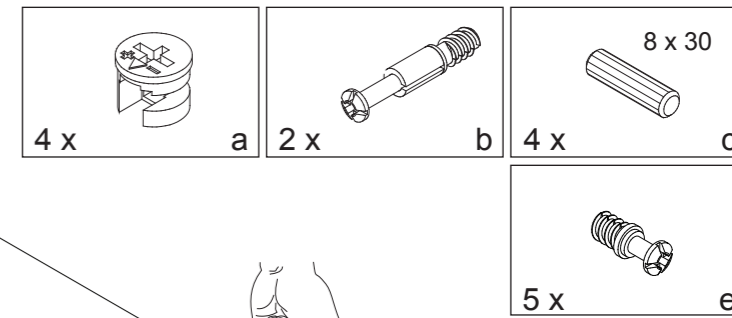


G



B



**C****D****E**